

Data sheet

Commercial Art.No.: 25.350.4553.0

PCB pin header 8213 S / 15 G OB

PCB pin header, connection method depends on used socket part , 15 poles, pitch:
5.08 mm, type of packing: carton, color: grey



Commercial Art.No.	25.350.4553.0
EAN	4015573192898
Order Unit	50

Certificates / Approvals



Technical data

General

Modular spacing	5.08 mm
Soldering process	Wave soldering
Packaging	Carton
Number of poles	15
Number of levels	1
Marking	No
Fastening	None
Mating direction towards (circuit) board	90°

Technical data

Rated current	12 A
Overvoltage Category I	1000 V
Overvoltage Category II	400 V
Overvoltage Category III	250 V
Rated impulse voltage	4 kV

Technical Data UL/CSA

Voltage UL	300 V
Current field wiring	15 A
Current factory wiring	15 A
Voltage CSA	300 V
Current CSA	15 A

Other

Type of insulation material	Thermoplastic
Color	Grey
Height	12 mm

Length	77.6 mm
Depth	8.4 mm
Material contact base	CuZn
Material contact surface	Sn

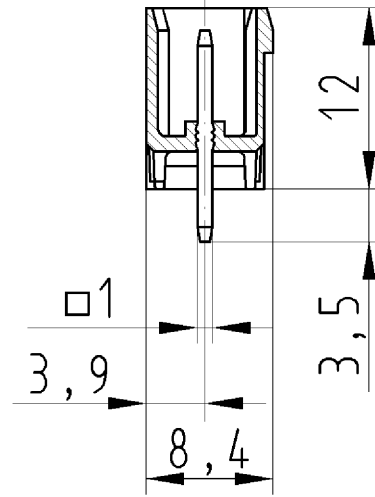
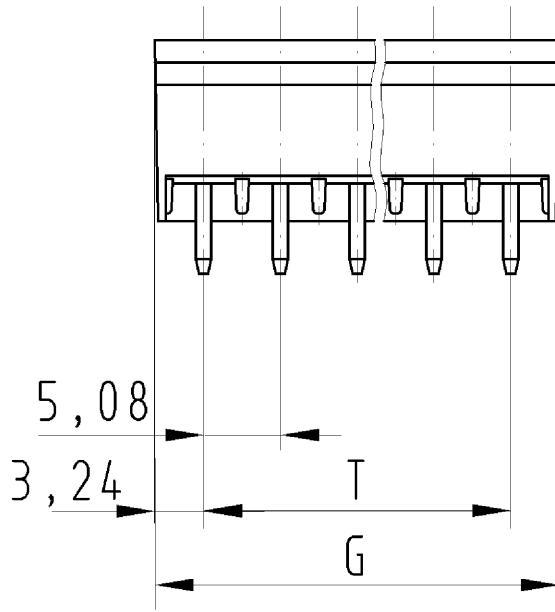
Classification

ECLASS 8.1	27440402
ETIM 7.0	EC002637
ETIM 6.0	EC002637
ETIM 5.0	EC002637
ETIM 4.0	EC002637

Product compliance

ROHS conformity status	Compliant
REACH-SVHC conformity status	Compliant

für folgende Tabellen-Zchnng.:
25.350.3253.0 8213 S/...G



LP.STIFTLLEISTE
25.350.3253.0 10W
19.10.2007 SCJ
M 2:1